

3-Bedroom

TYPE C1 (P)

116 sq m / 1,249 sq ft

BLK11 - #01-05

BLK15 - #01-15

#01-18

BLK23 - #01-41

#01-42*

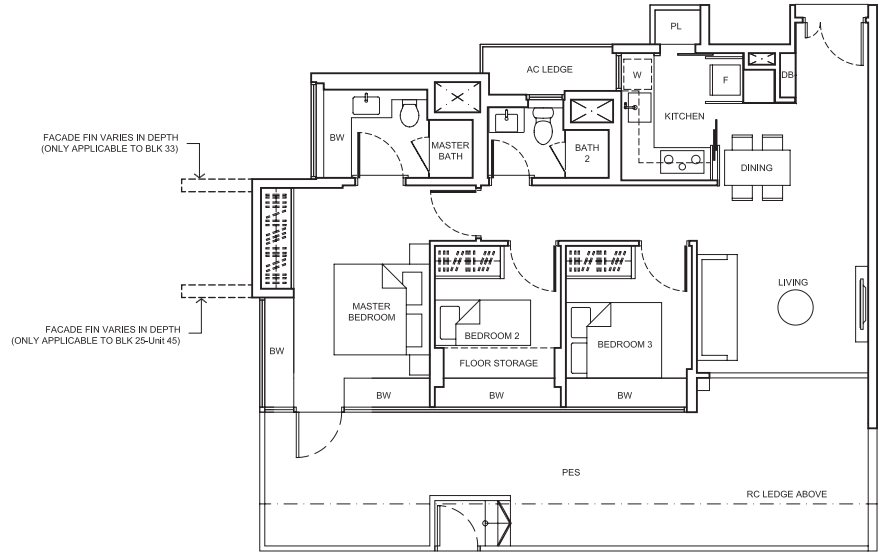
BLK25 - #01-43*

#01-45

BLK27 - #01-52

BLK29 - #01-57*

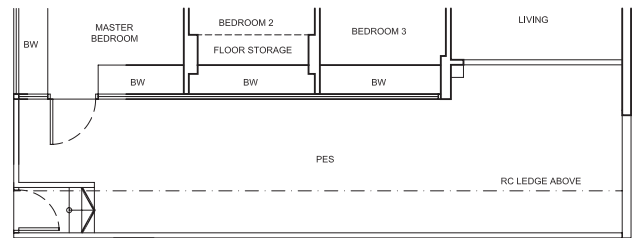
BLK33 - #01-65



TYPE C1 (P)-1

116 sq m / 1,249 sq ft

BLK25 - #01-48



TYPE C1

84 sq m / 904 sq ft

BLK11 - #02-05 to #15-05

BLK13 - #05-09* to #14-09*

BLK15 - #02-15 to #13-15

#02-18 to #12-18

BLK19 - #02-30 to #13-30

BLK21 - #03-33* to #13-33*

#03-35 to #13-35

BLK23 - #02-41 to #14-41

#02-42* to #13-42*

BLK25 - #02-43* to #14-43*

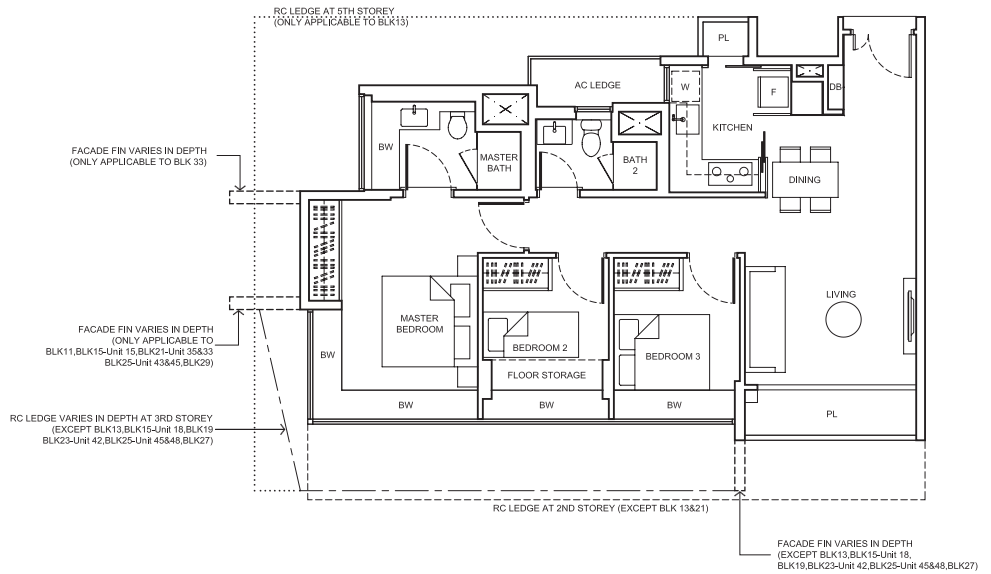
#02-45 to #14-45

#02-48 to #13-48

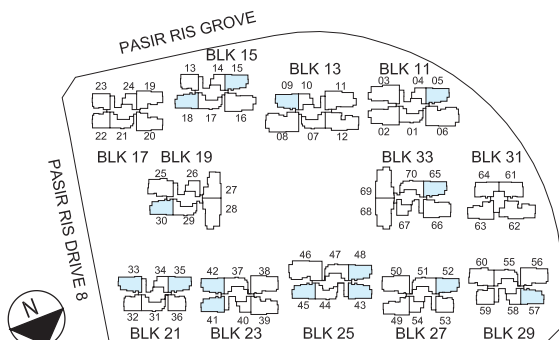
BLK27 - #02-52 to #15-52

BLK29 - #02-57* to #16-57*

BLK33 - #02-65 to #14-65



*mirror image unit



KEYPLAN NOT TO SCALE

Area includes air-con (AC) ledge, planter (PL), bay window (BW), private enclosed space (PES), open roof terrace and void area where applicable. Some units are mirror images of the apartment plans shown in the brochure. Please refer to the key plan for orientation. The plans are subjected to change as may be approved by relevant authorities. All floor plans are approximate measurements only and are subjected to government resurvey.

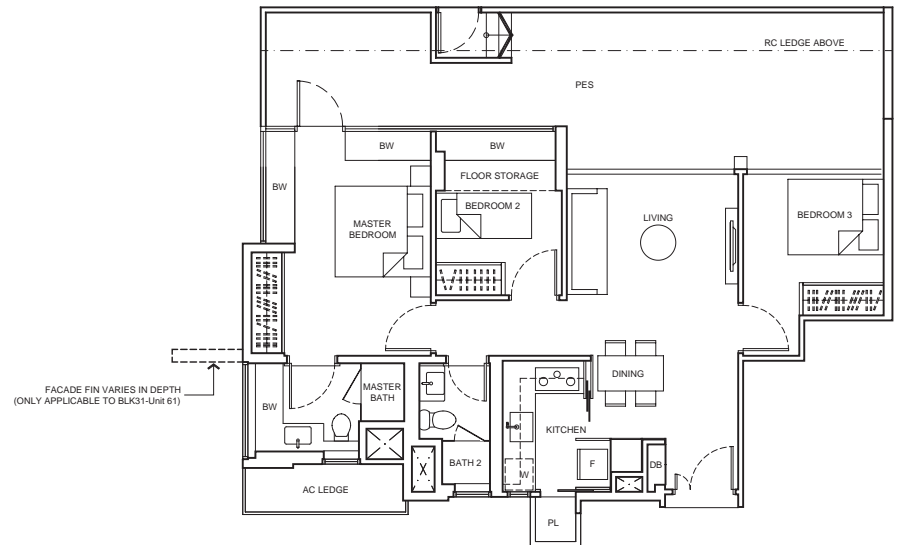
NOTE:

- DEPTH OF PLANTER AND FLOOR STORAGE IS APPROX. 350mm FOR TYPE C1 AT
- BLK15 - #02-18
- BLK19 - #02-30
- BLK23 - #02-42
- BLK25 - #02-48
- BLK27 - #02-52
- BLK33 - #02-65

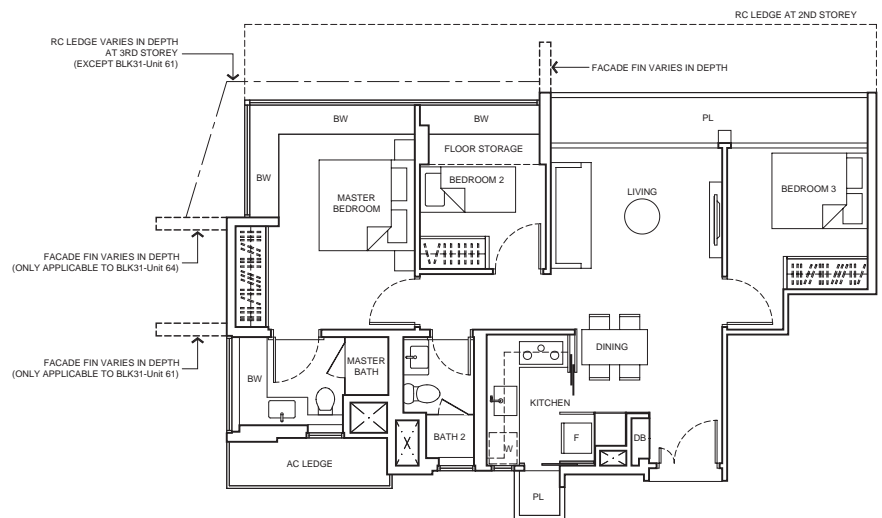


3-Bedroom

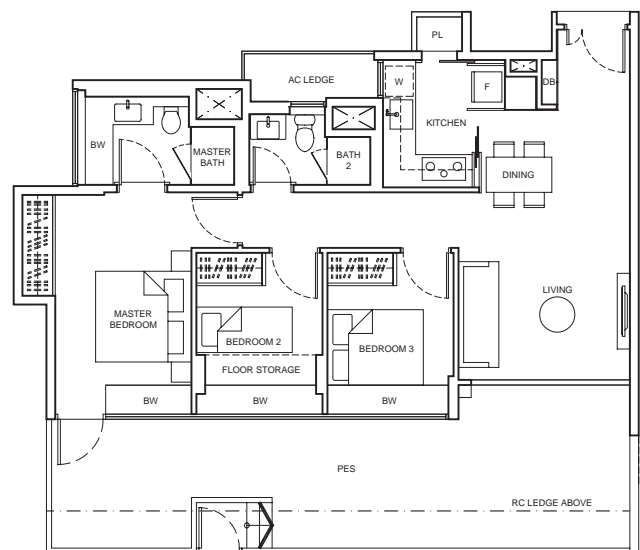
TYPE C2 (P)
 113 sq m / 1,216 sq ft
 BLK31 - #01-61*
 #01-64



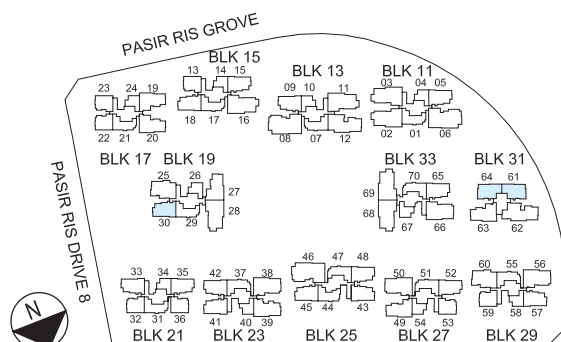
TYPE C2
 85 sq m / 915 sq ft
 BLK31 - #02-61* to #15-61*
 #02-64 to #15-64



TYPE C4 (P)
 113 sq m / 1,216 sq ft
 BLK19 - #01-30



*mirror image unit



KEYPLAN
 NOT TO SCALE

Area includes air-con (AC) ledge, planter (PL), bay window (BW), private enclosed space (PES), open roof terrace and void area where applicable. Some units are mirror images of the apartment plans shown in the brochure. Please refer to the key plan for orientation. The plans are subjected to change as may be approved by relevant authorities. All floor plans are approximate measurements only and are subjected to government resurvey.

