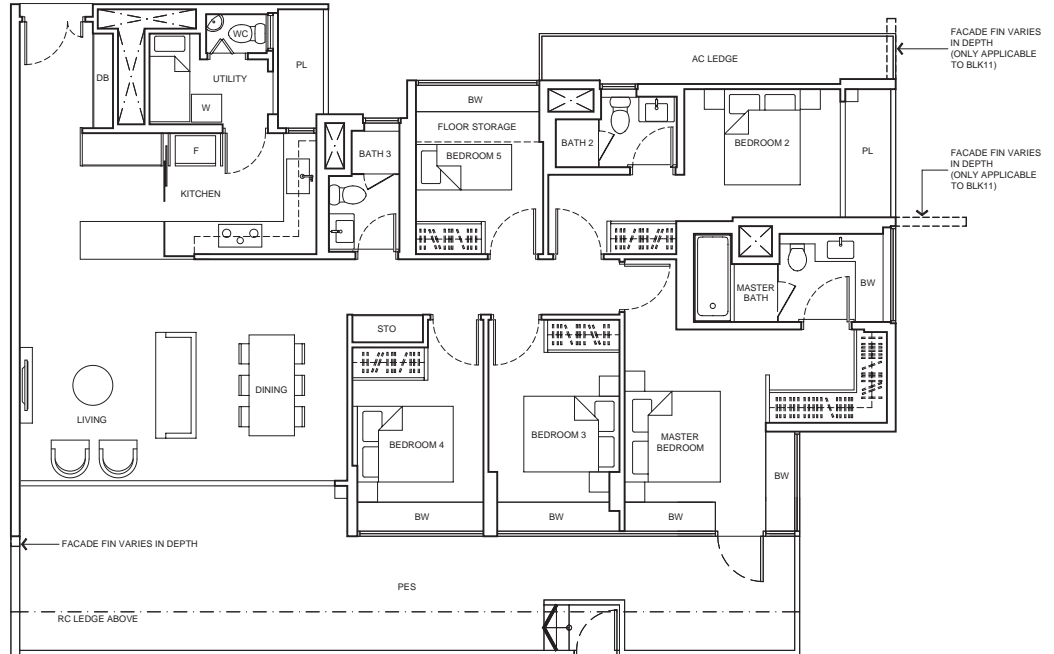
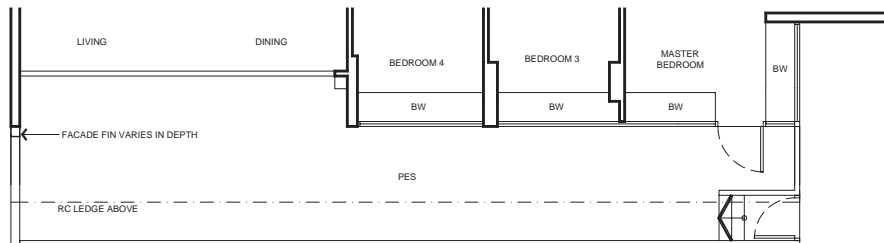


5-Bedroom

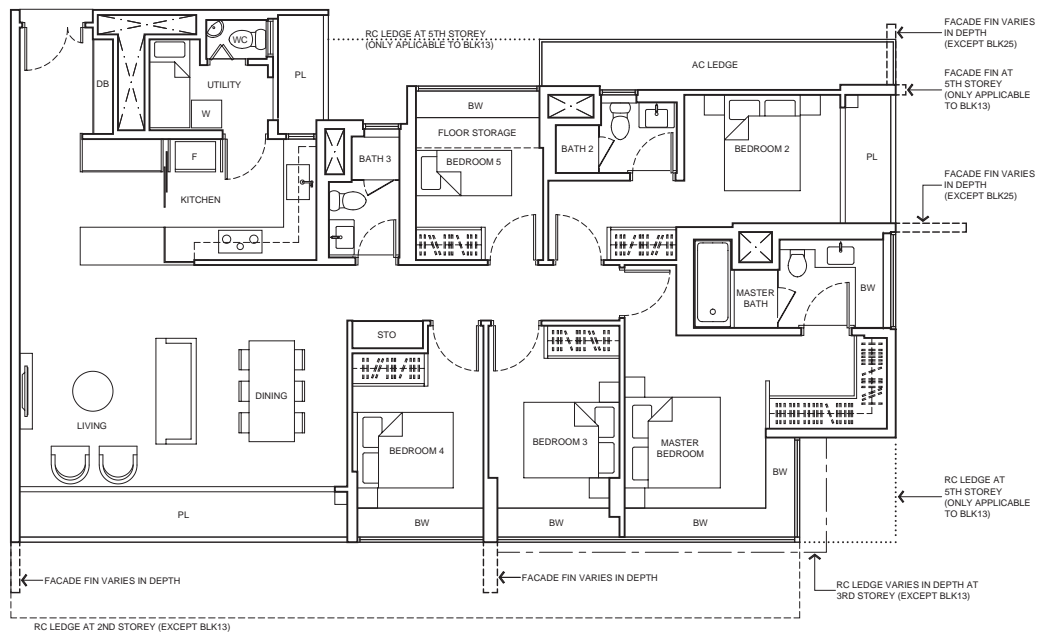
TYPE E1 (P)
 199 sq m / 2,142 sq ft
 BLK11 - #01-06



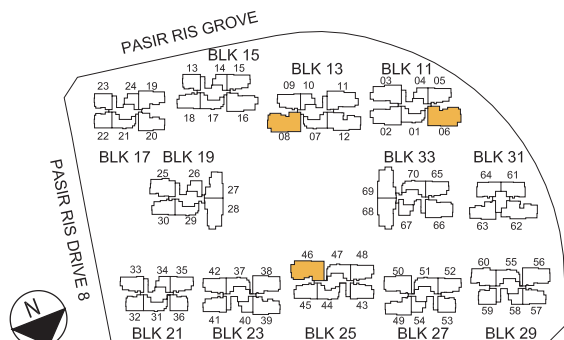
TYPE E1 (P)-1
 199 sq m / 2,142 sq ft
 BLK25 - #01-46



TYPE E1
 162 sq m / 1,744 sq ft
 BLK11 - #02-06 to #13-06
 BLK13 - #05-08* to #12-08*
 BLK25 - #02-46 to #12-46



*mirror image unit



KEYPLAN
 NOT TO SCALE

Area includes air-con (AC) ledge, planter (PL), bay window (BW), private enclosed space (PES), open roof terrace and void area where applicable. Some units are mirror images of the apartment plans shown in the brochure. Please refer to the key plan for orientation. The plans are subjected to change as may be approved by relevant authorities. All floor plans are approximate measurements only and are subjected to government resurvey.

